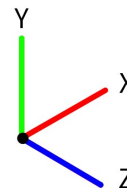
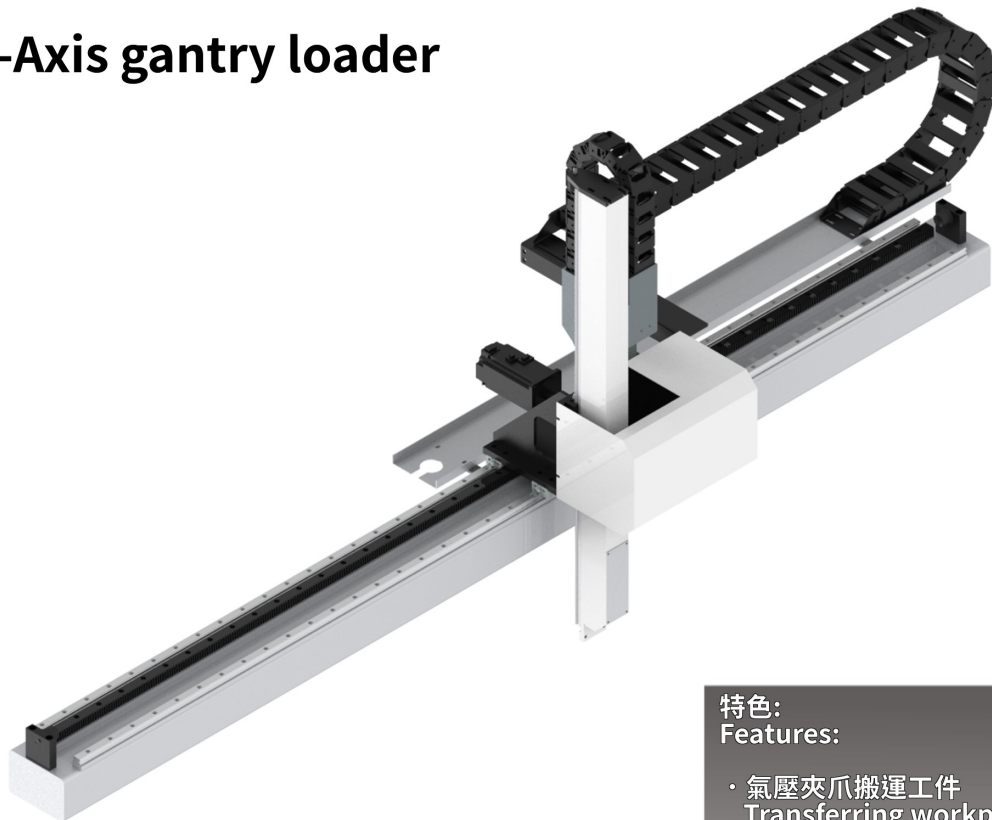


2軸門型機械手臂

2-Axis gantry loader



特色: Features:

- 氣壓夾爪搬運工件
Transferring workpiece by pneumatic gripper.
- 可與加工機設備結合
Gantry loader can be collaborated with machine.
- 入料、取料，搬運自動化
Unmanned load and unload, automatic transfer.
- 有效提升產線效率
Upgrade cycle time of production line.

ATPGR Series-門型機械手臂-Gantry Loader

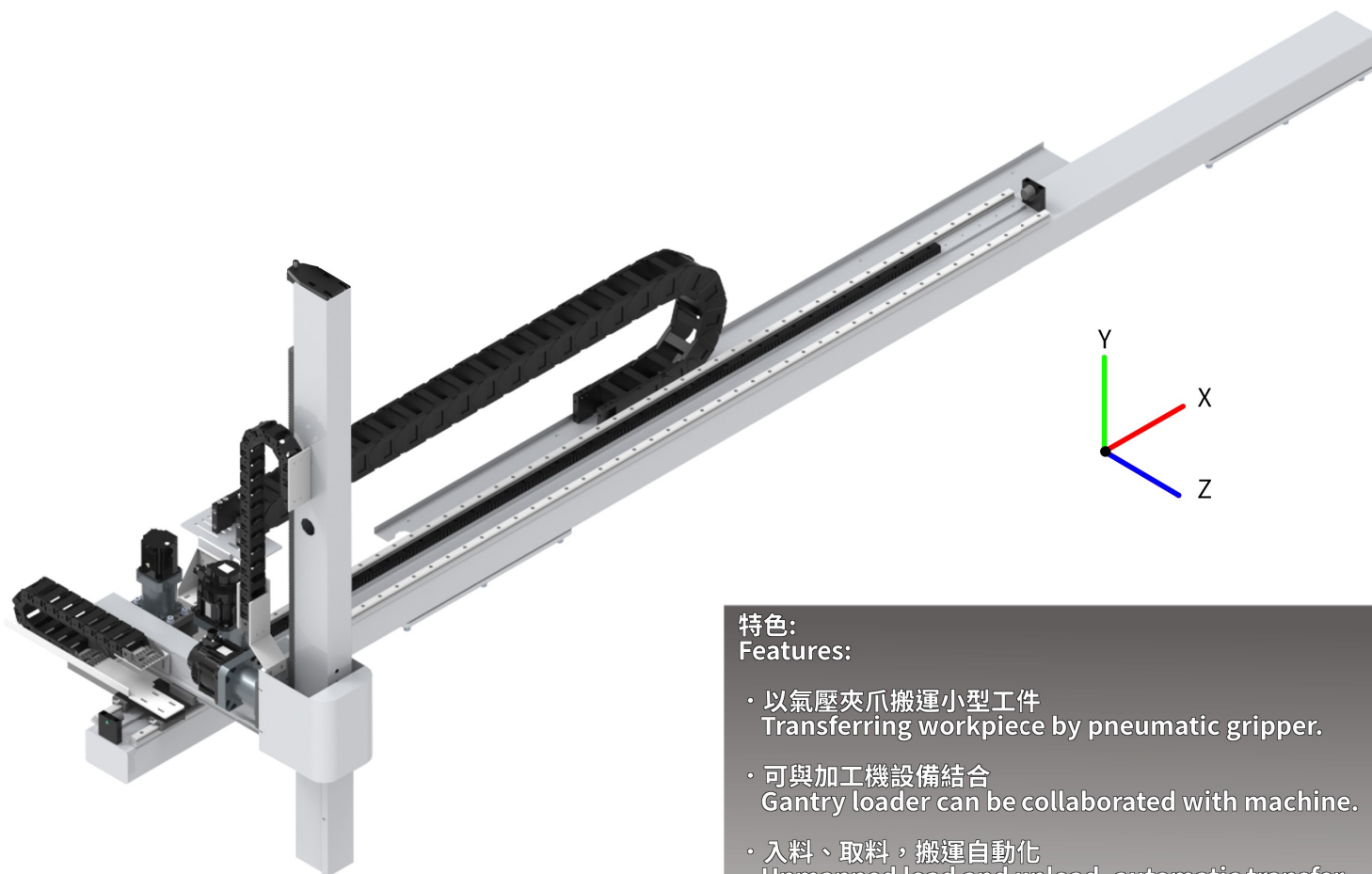
項目 Item		規格 Specification				
型號		ATPGR-03	ATPGR-05	ATPGR-10	ATPGR-15	ATPGR-25
X軸 X-Axis Beam	移動行程 Travel Stroke	依客戶需求設計 On Demand				
	移動速度 Travel Speed	m/min	120	120	120	90
Y軸 Y-Axis Arm	移動行程 Travel Stroke	依客戶需求設計 On Demand				
	移動速度 Travel Speed	m/min	120	120	120	90
搬運重量 Transfer Weight		3kg	5kg	10kg	15kg	25kg

※以上數值均為參考規格，可依照客戶需求變更設計。
Above specification can be changed depended on customer requirement.



3軸門型機械手臂

3-Axis gantry loader



特色: Features:

- 以氣壓夾爪搬運小型工件
Transferring workpiece by pneumatic gripper.
- 可與加工機設備結合
Gantry loader can be collaborated with machine.
- 入料、取料，搬運自動化
Unmanned load and unload, automatic transfer.
- 有效提升產線效率
Upgrade cycle time of production line.

ATPGR Series-門型機械手臂-Gantry Loader

項目 Item		規格 Specification				
型號		ATPGR-03	ATPGR-05	ATPGR-10	ATPGR-15	ATPGR-25
X軸 X-Axis	移動行程 Travel Stroke	依客戶需求設計 On Demand				
	移動速度 Travel Speed	m/min	120	120	120	90
Y軸 Y-Axis	移動行程 Travel Stroke	依客戶需求設計 On Demand				
	移動速度 Travel Speed	m/min	120	120	120	90

※以上數值均為參考規格，可依照客戶需求變更設計。
Above specification can be changed depended on customer requirement.



門型機械手臂-Gantry

其他型式
Other type

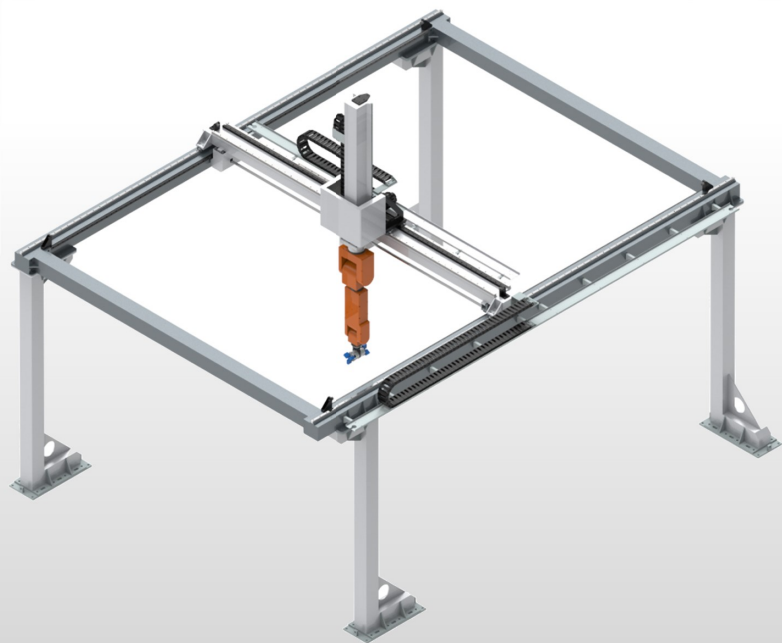
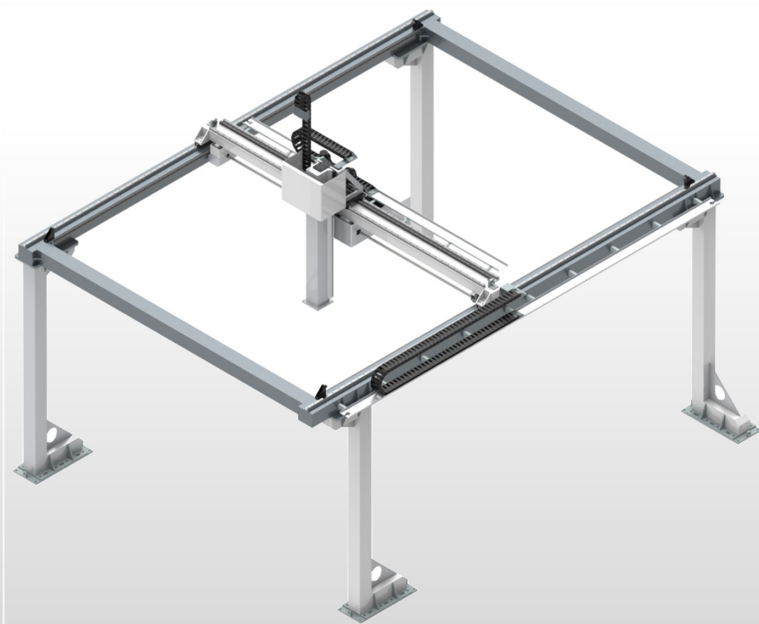
雙Y軸串聯式手臂
Double Y-Axis Tandem Arm



雙Y、雙Z軸串聯式手臂
Double Y-Axis & Double Z-Axis Tandem Arm



多軸門型手臂
Multi-Axis gantry loader. (with multi-axis robot)



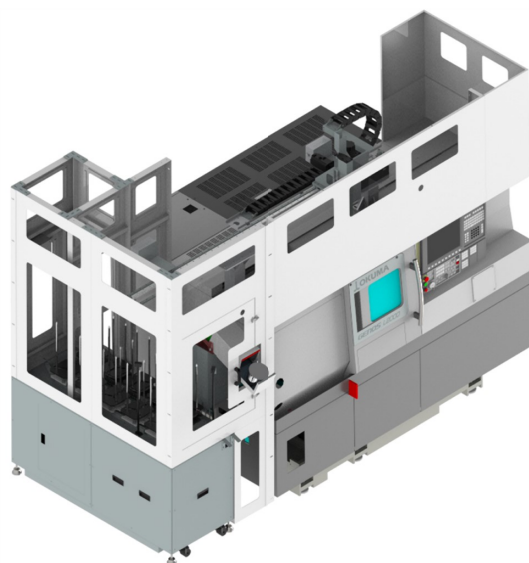
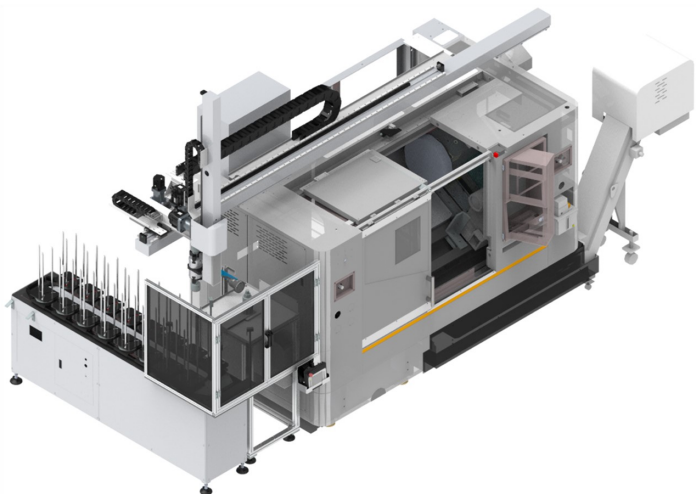
※以上圖片僅供參考，請以實際出貨設備/設計為準。

All Pictures shown are for illustration purpose only. Actual product/design may vary due to product enhancement.

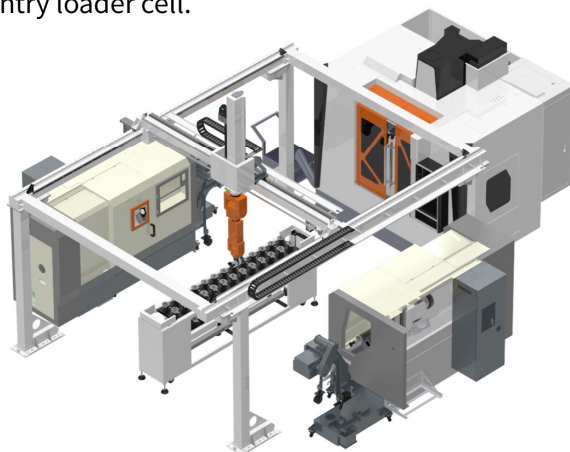
門型機械手臂-Gantry

運用範例:
Example:

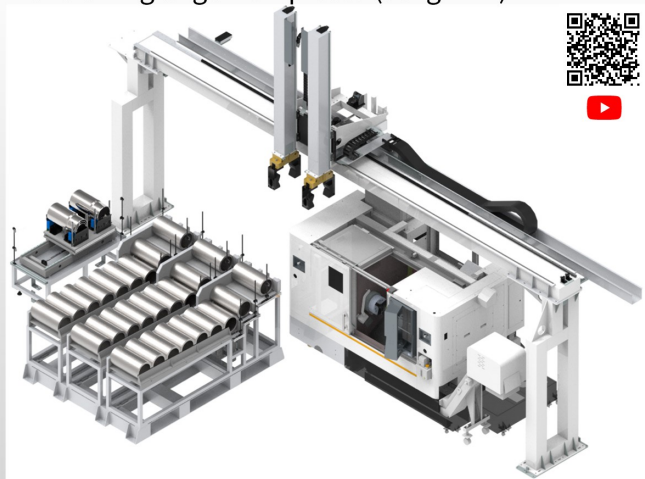
安裝於工具機，配合供料機
Mounting on machine with work feeder.



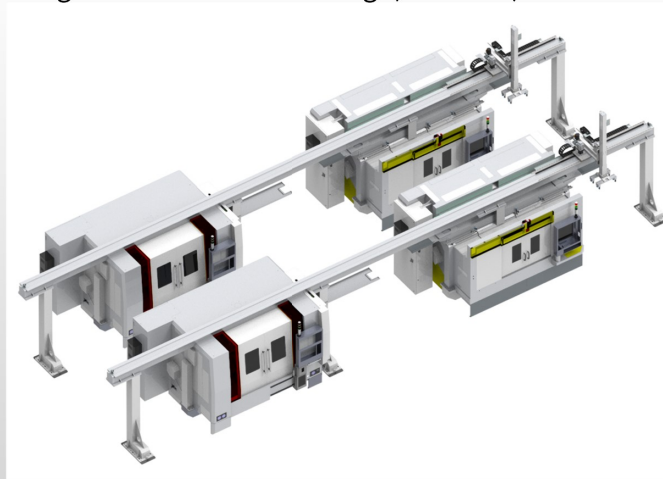
多軸門型機械手生產單元
Multi-Axis gantry loader cell.



搬運大型工件
Transferring large workpiece. (90kg MAX)



長行程搬運
Long travel stroke transferring. (50m MAX)



※以上圖片僅供參考，請以實際出貨設備/設計為準。

All Pictures shown are for illustration purpose only. Actual product/design may vary due to product enhancement.